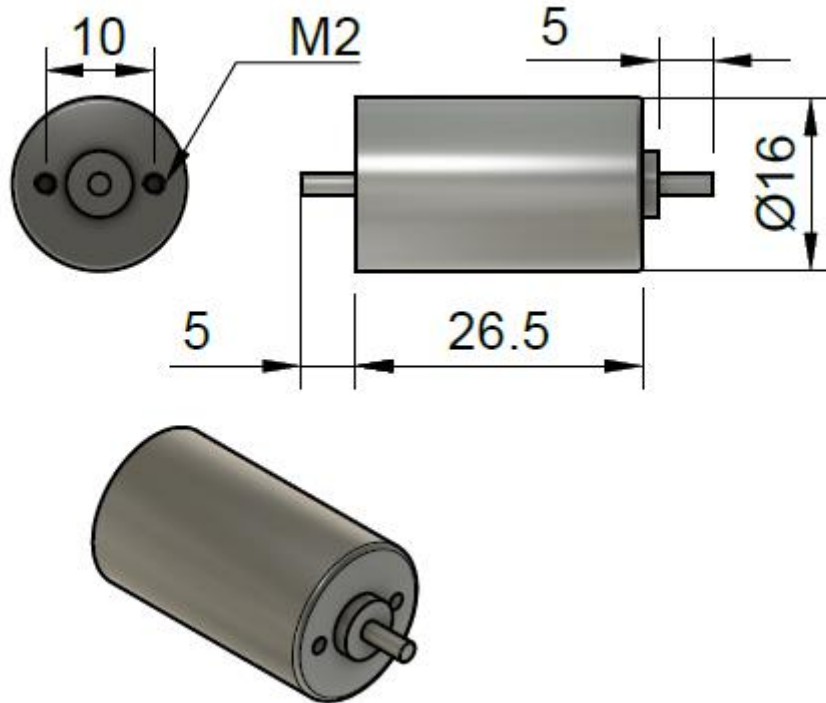


MMA01 - Mashima 1620 round can specs



Original Mashima dimensions

| | Mashima | Micromotor MMA01 |
|---|----------------|-----------------------------|
| Voltage – Spannung – Spanning | 12 Volt | 12 Volt |
| No load speed – Leerlauf-drehzahl – Toerental onbelast | | 15000 RPM |
| Rated speed – Nenndrehzahl – Toerental belast | 14200 RPM | 12750 RPM |
| No load current – Leerlaufstrom – Stroomopname onbelast | | 50 mA |
| Rated current – Nennstrom – Stroomopname belast | | 283 mA |
| Stall Current – Maximalstrom – Maximale stroom | | 1,6 A |
| Rated torque – Lastmoment – Koppel | | 17,3 g.cm |
| Stall torque – Drehmoment der Anlage – Maximaal koppel | | 115 g.cm |